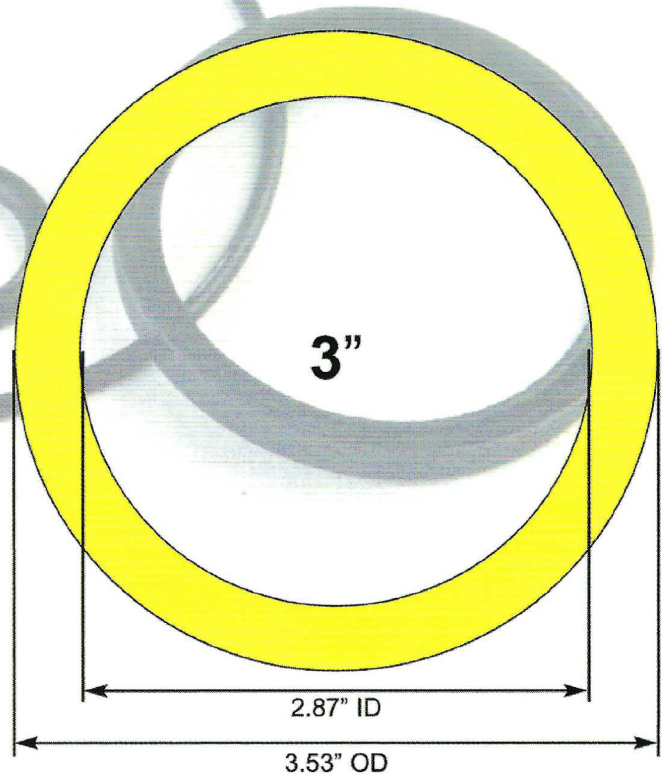
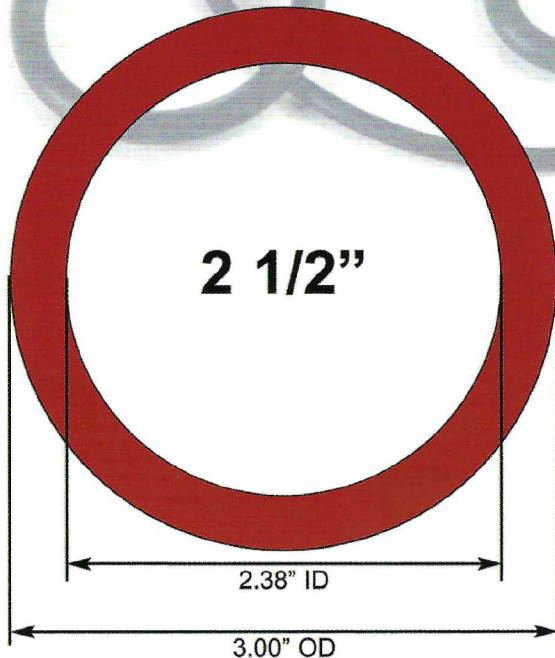
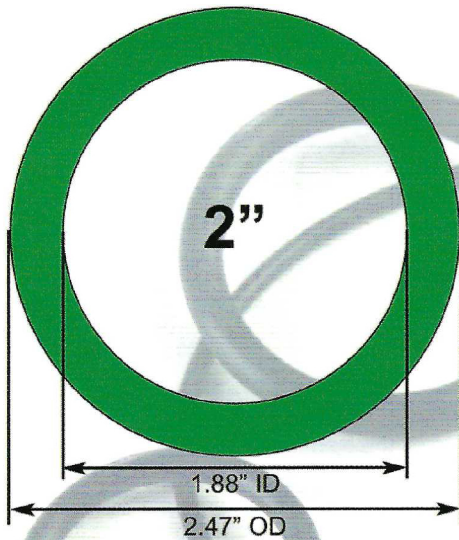
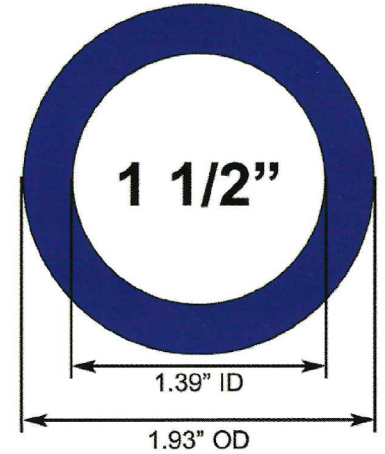
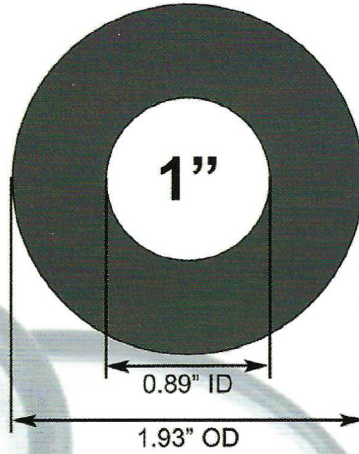
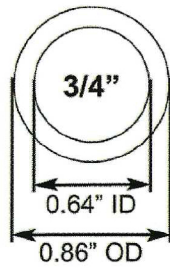
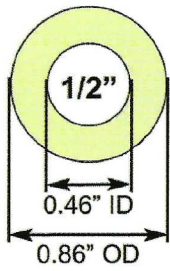




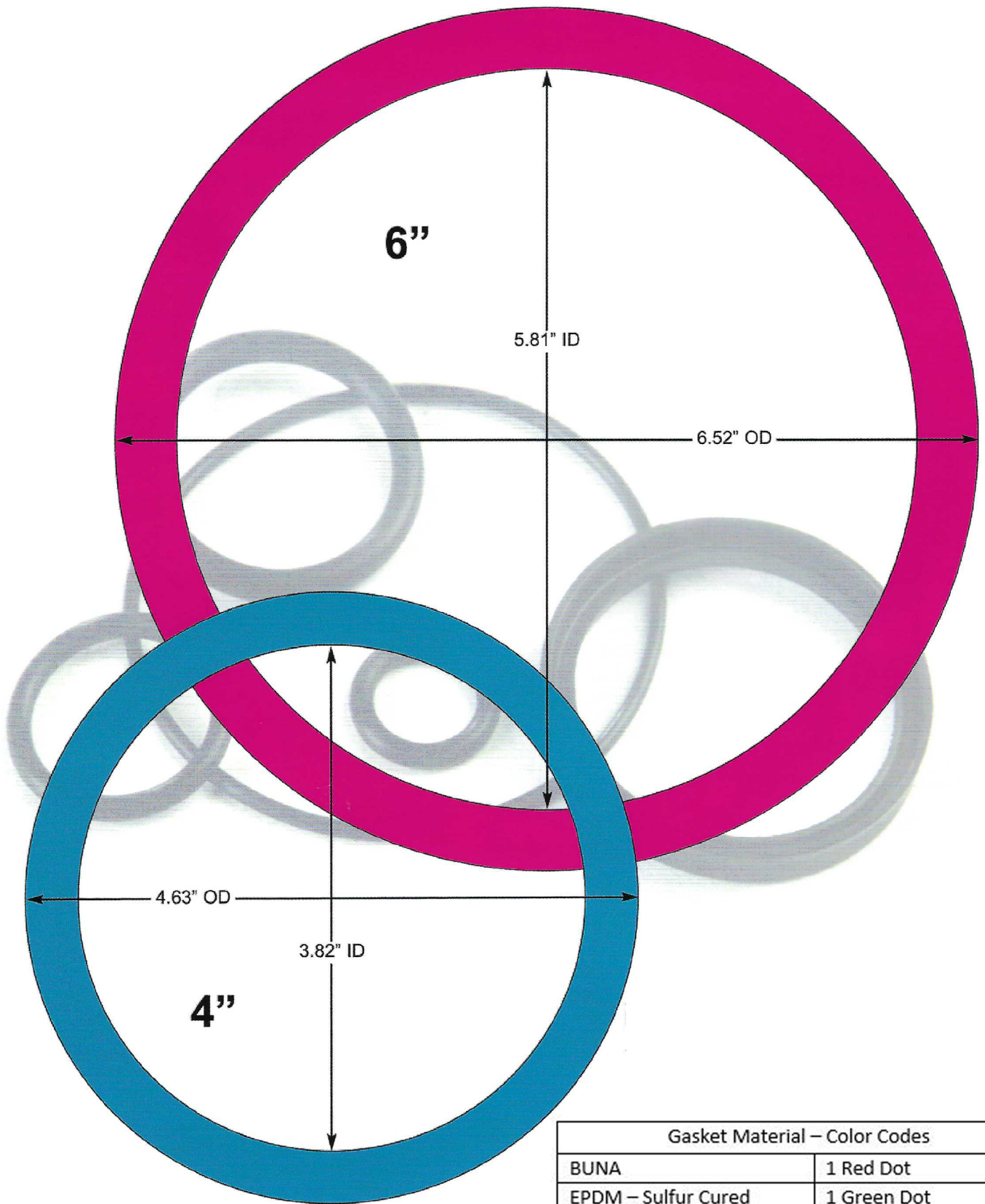
300 McGaw Drive
Edison, NJ 08837
Phone: 732-225-9100
Phone: 800-527-6867
Fax: 732-225-9101
Web: www.dso-fluid.com

Fluid Handling

These actual size drawings are provided in an effort to reduce the risk of sizing errors and assist you in specifying and ordering the correct gasket sizes.



If you are printing the PDF version of this document please make sure that you DO NOT print it as a "fit to page"



Gasket Material – Color Codes	
BUNA	1 Red Dot
EPDM – Sulfur Cured	1 Green Dot
EPDM – Peroxide Cured	3 Green Dots
Fluorelastomer – FKM/SFY	1 White, 1 Yellow Dot
Silicone Peroxide Cured	1 Pink Dot